

New Heat Pump Z900

Energy efficient and silent – for public pools



2
YEAR
WARRANTY

5
YEAR
CONDENSER
WARRANTY

Z900 – Advantages

Energy efficient and silent – for public pools

➤ **Low energy consumption**

Designed for large pools and with up to 100kW of power, the Z900 has a coefficient of performance (COP) of over 4.2 (15°C air/26°C water). This high COP saves you money on your annual operating costs.

➤ **Silent**

The Z900 generates a maximum acoustic pressure of 53 dB(A) at 10 m, making it one of the quietest heat pumps in its class. This guarantees a pleasant swim for your customers.

➤ **Reduced size**

The Z900 heat pump has a vertical blower system, which significantly reduces its footprint and makes it easier to fit into any space.



Z900 – Advantages

Energy efficient and silent – for public pools

- **Low energy consumption**
- **Silent**
- **Reduced size**

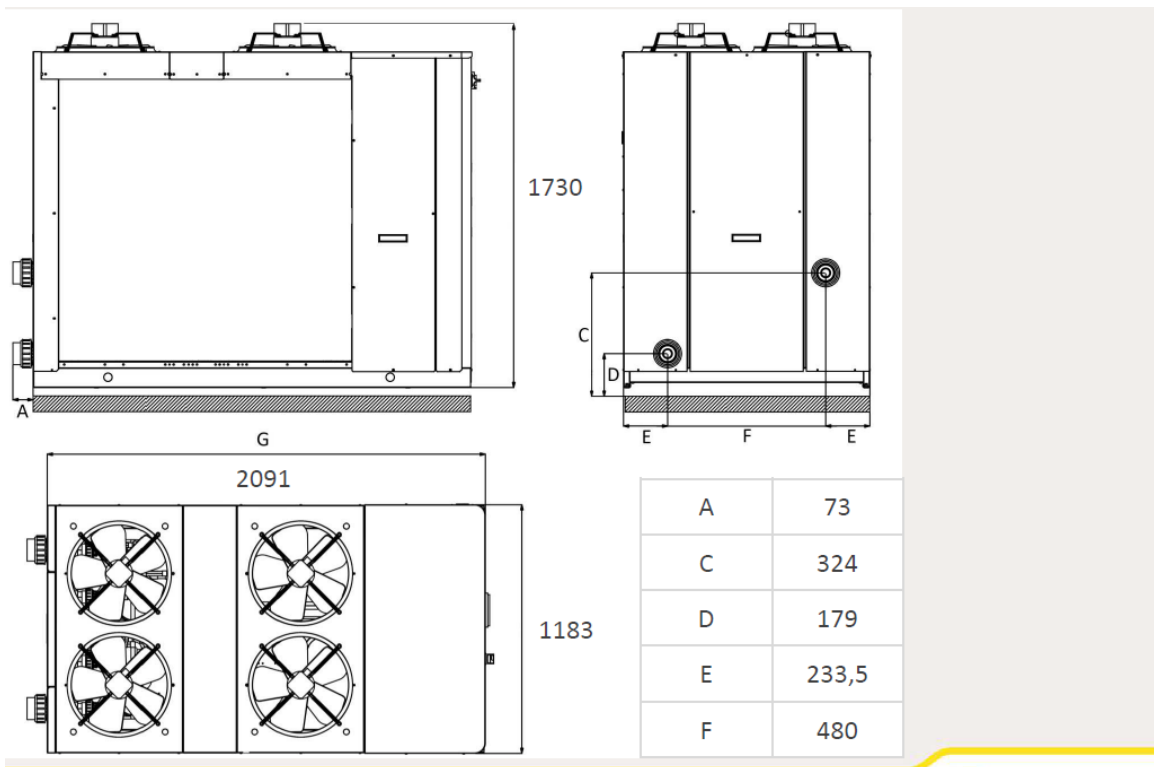


Main Product Specifications

- Single block outdoor vertical blowing Heat Pump
- Digital display regulator
- **Minimal working temperature -12°C** (outdoor air T°C)
- Refrigerant fluid: **R410A**
- Titanium patented water exchanger condenser with 5 years warranty
- Automatic defrosting using cycle inversion
- Scroll compressor
- Thermostat and non freeze heater
- Corrosion-resistant painted metal casing



Z900	TD20	TD30	TD50
PERFORMANCES : AIR 28°C / WATER 28°C / HUMIDITY 80%			
Operating Power (kW)	51	78	113,8
Power Consumption (kW)	9,9	15,3	22,8
COP	5,1	5,1	5,0
PERFORMANCES : AIR 15°C / WATER 26°C / HUMIDITY 70%			
Operating Power (kW)	46,2	69,7	97
Power Consumption (kW)	10,2	15	22,9
COP	4,4	4,6	4,2
SPECIFICATIONS			
Sound pressure level @10m (dB(A))	47	49	53



Z900 - Installation

